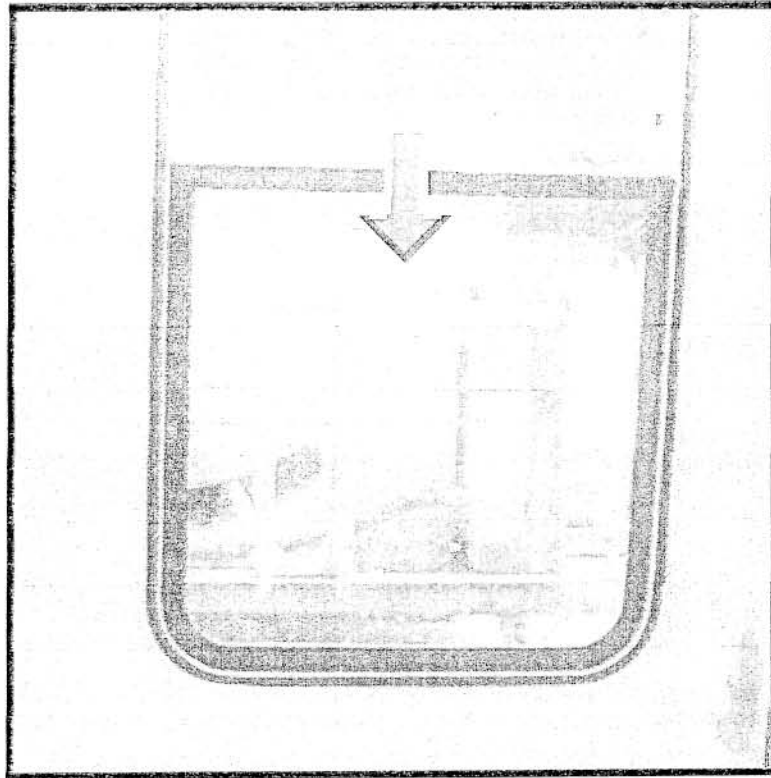
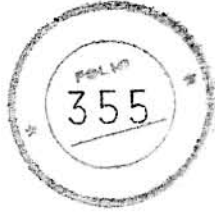


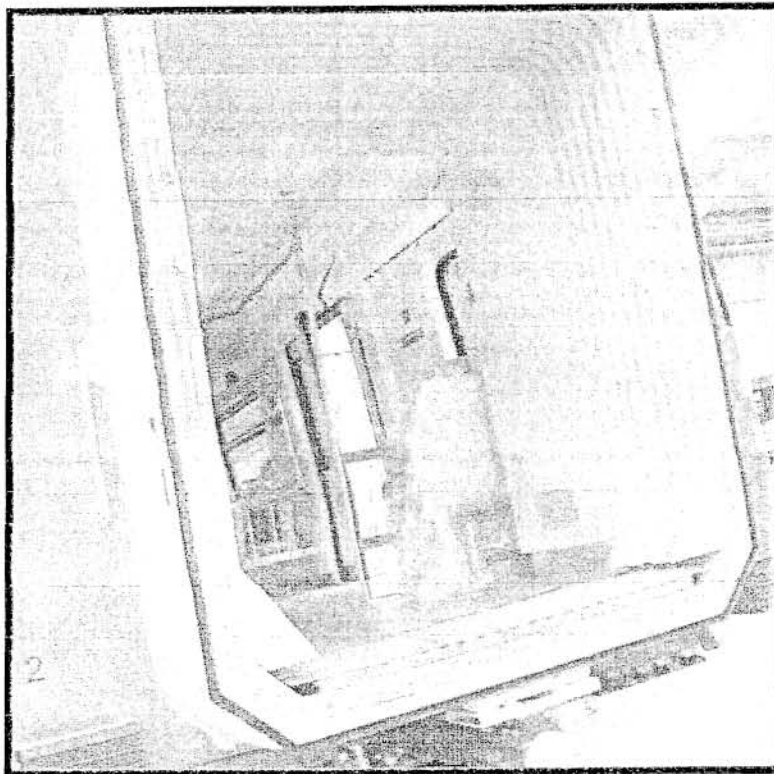


C19 Fixed glass

0044

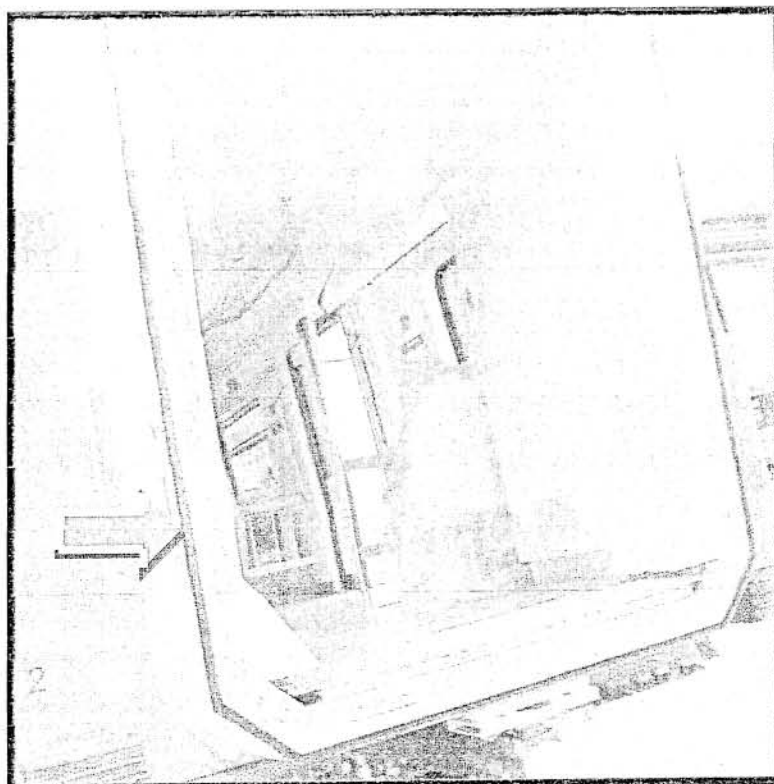


C20 Gangway

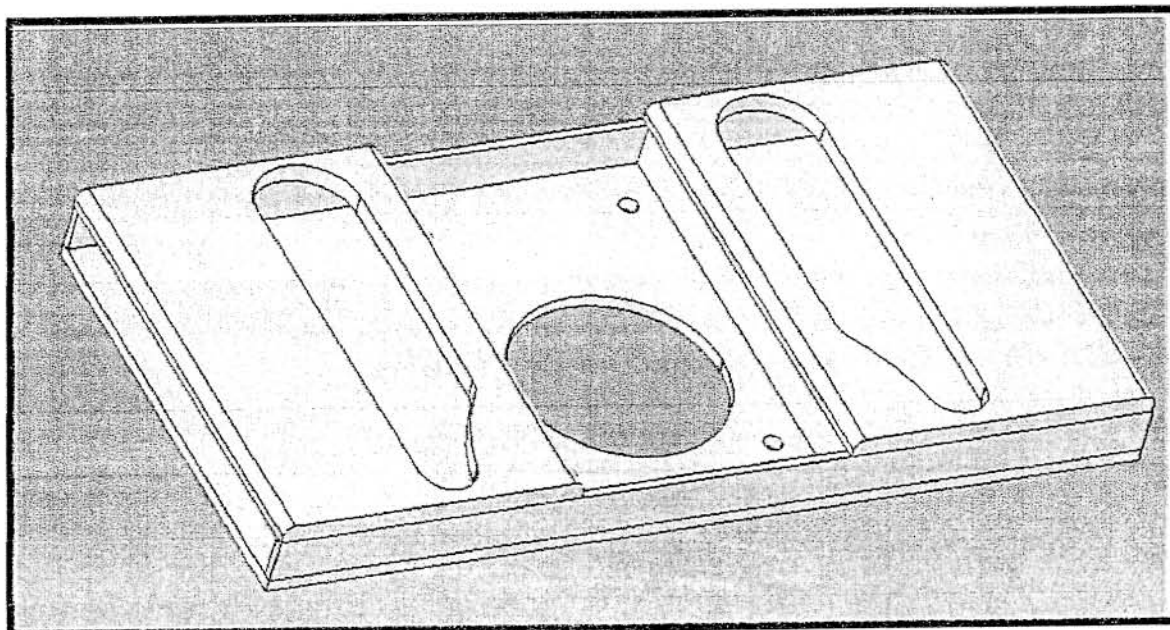


C21 Friction strip of ceiling plate

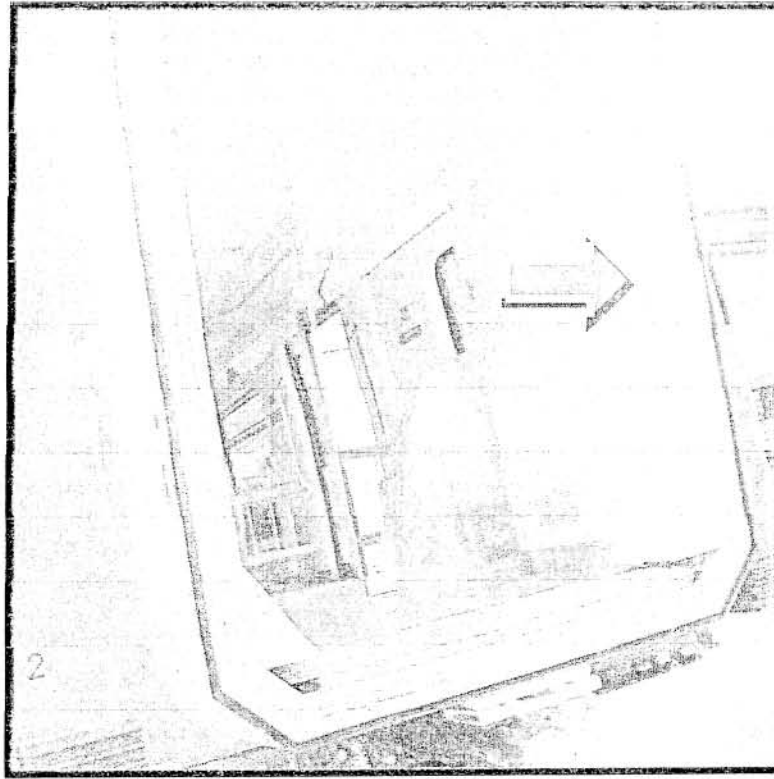
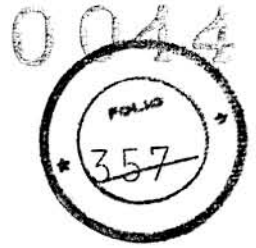
0044



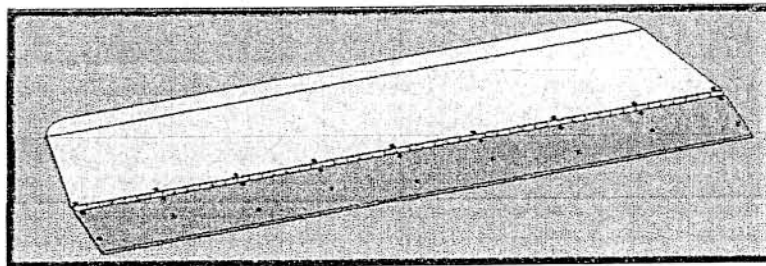
C22 Rubber baffle



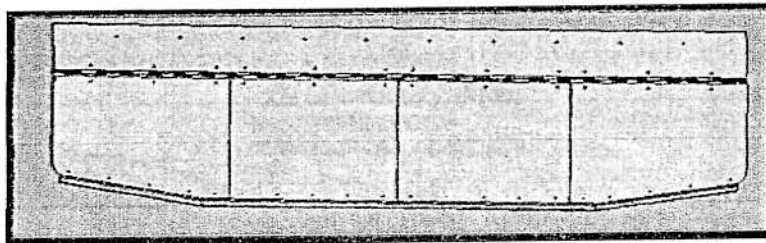
C23 Bellow assembly



C24 Treadle assembly

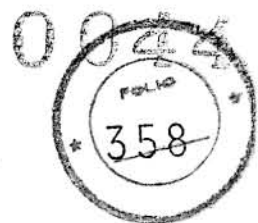
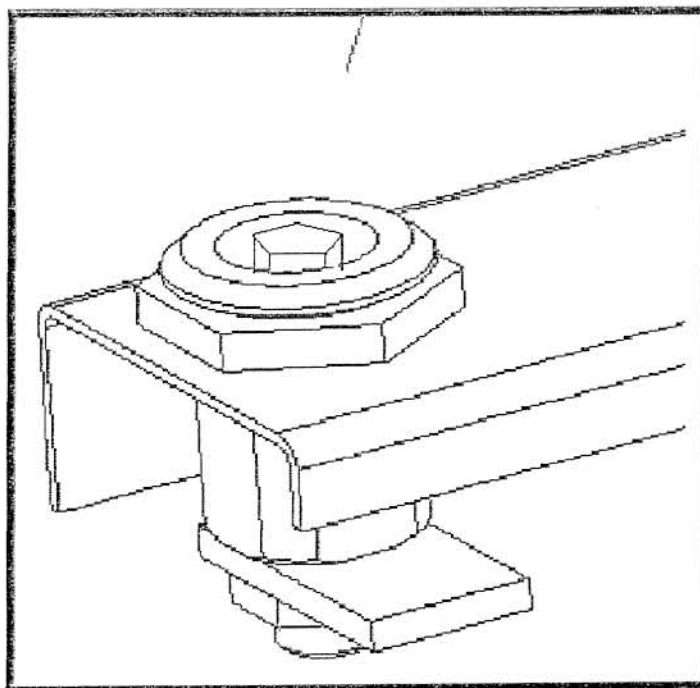


C25 Transition plate assembly

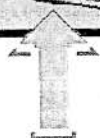
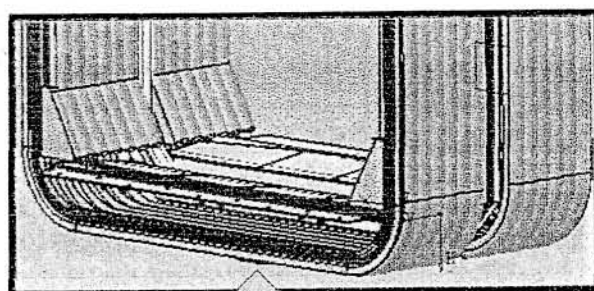




C26 Five-angle lock

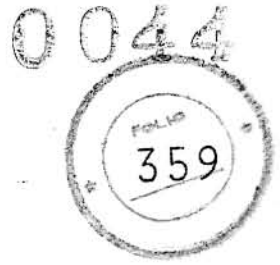
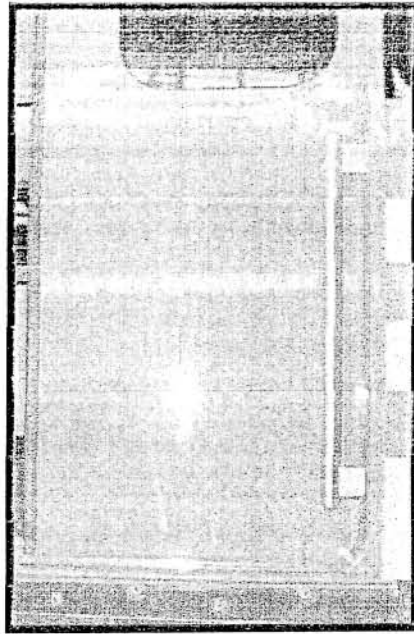


C27 Drain plug

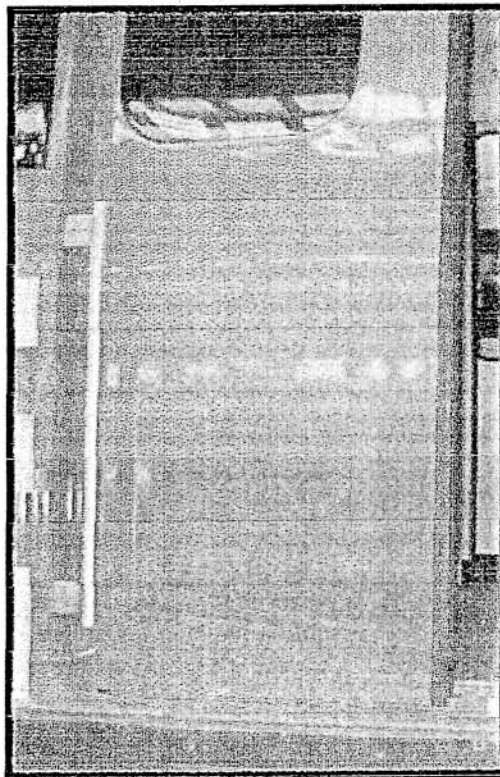




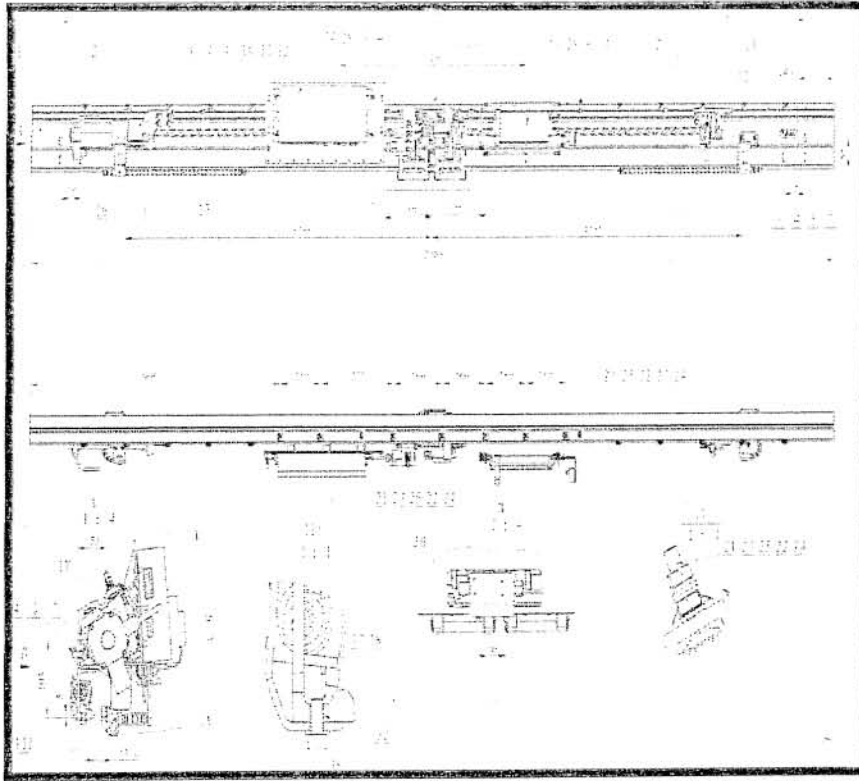
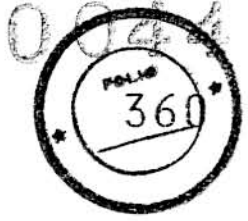
C28 Left door leaf



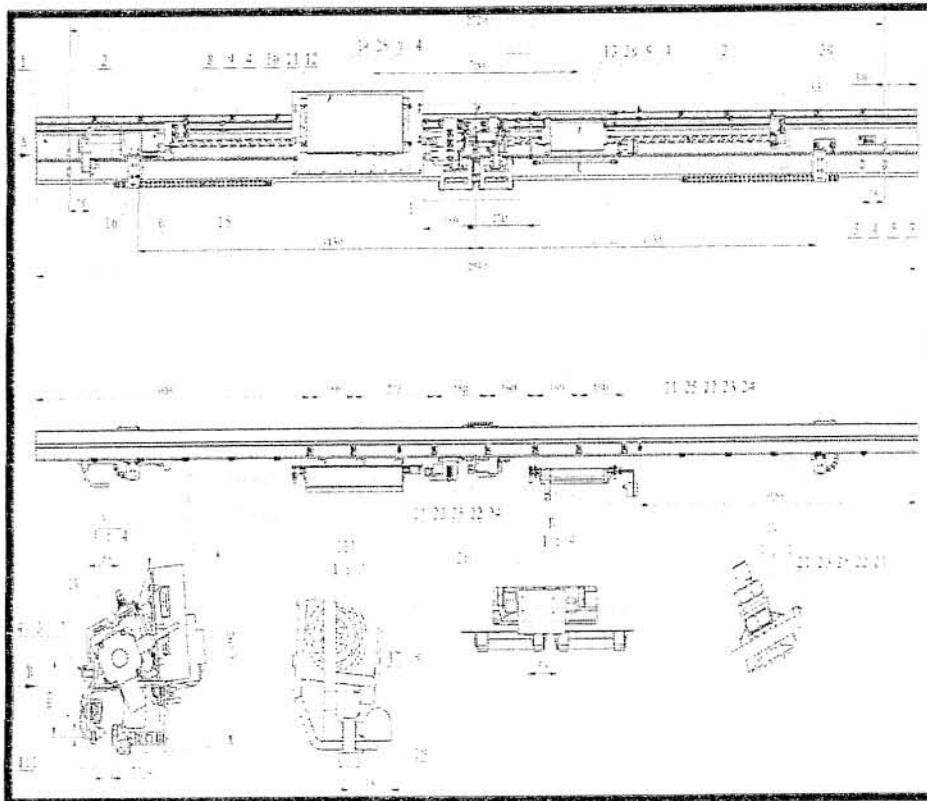
C29 Right door leaf



C30 Door drive mechanism (including motor) (left)



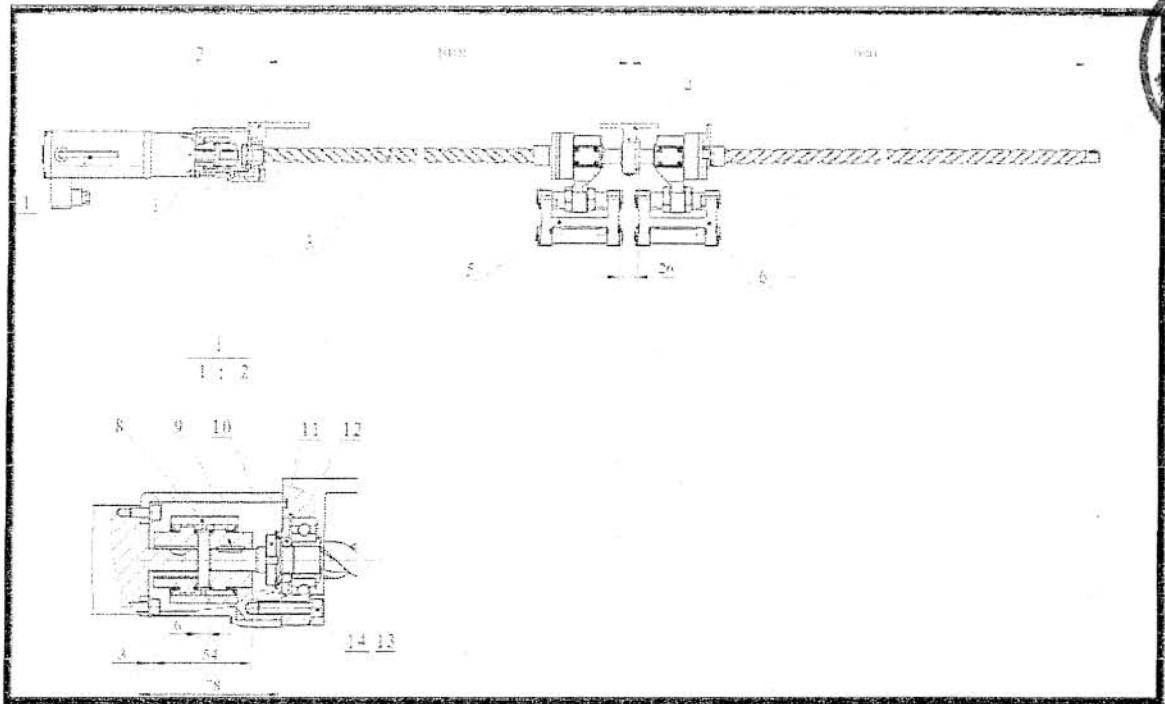
C31 Door drive mechanism (including motor) (right)





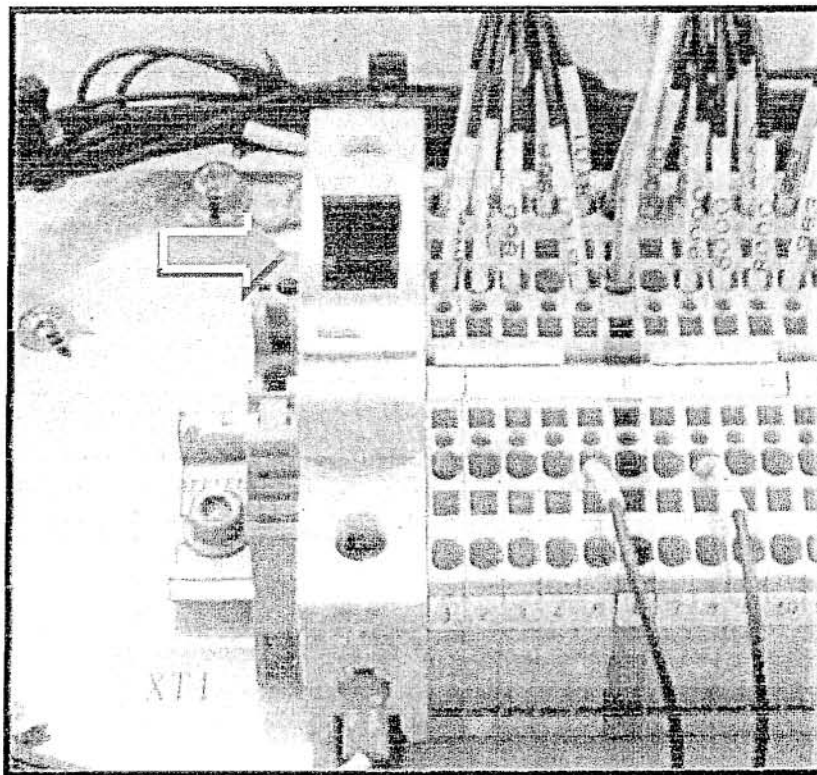
0044

C32 Screw rod assembly

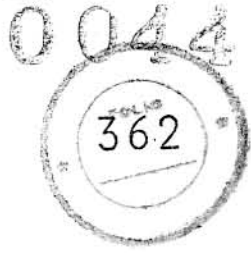
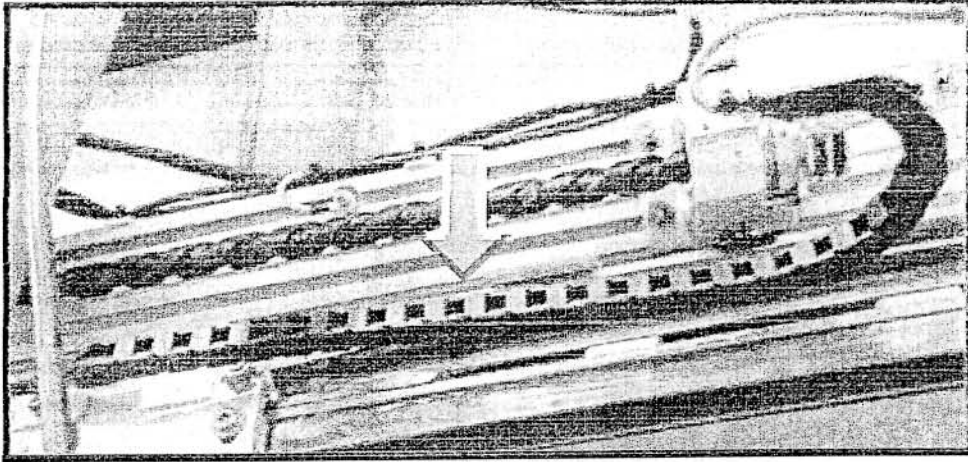


Folio 361

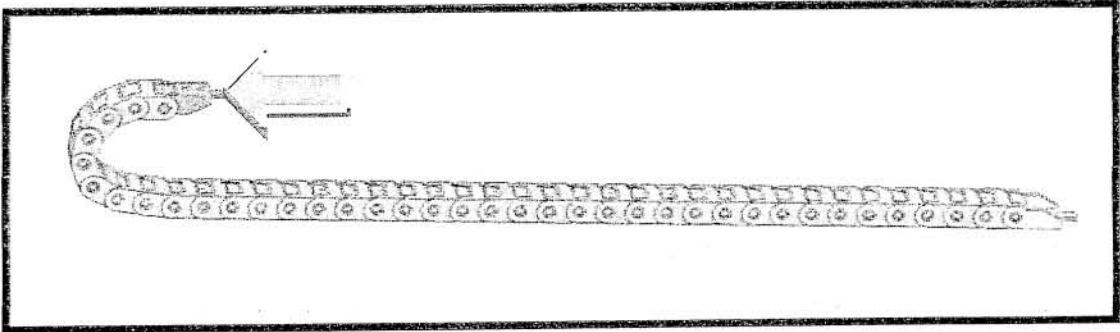
C33 Power switch



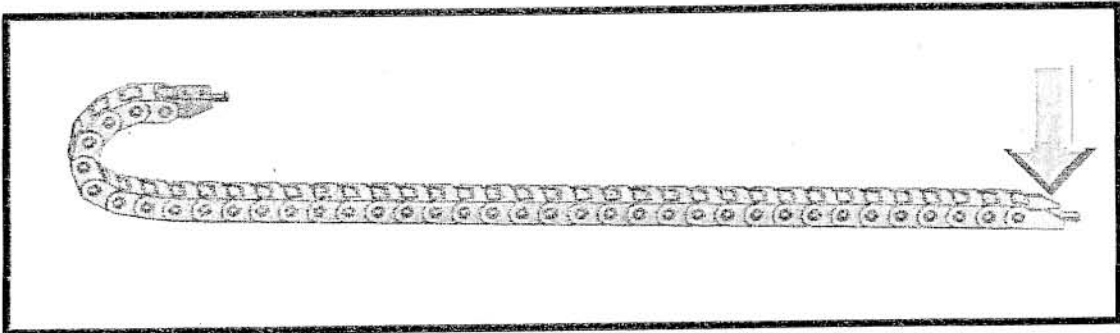
C34 Drag chain



C35 Drag chain joint 1



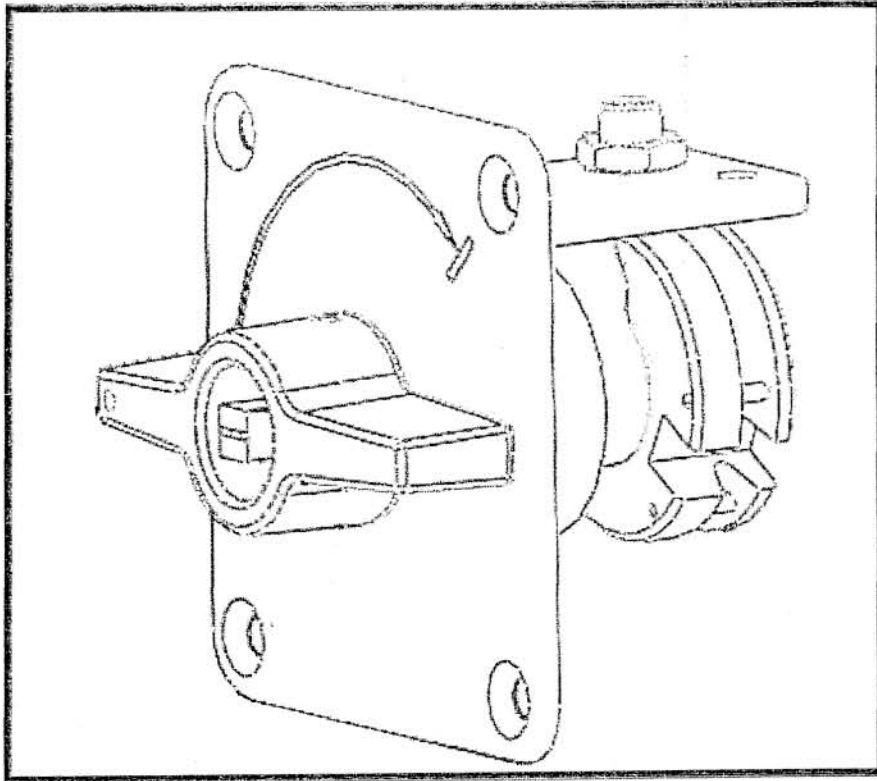
C36 Drag chain joint 2



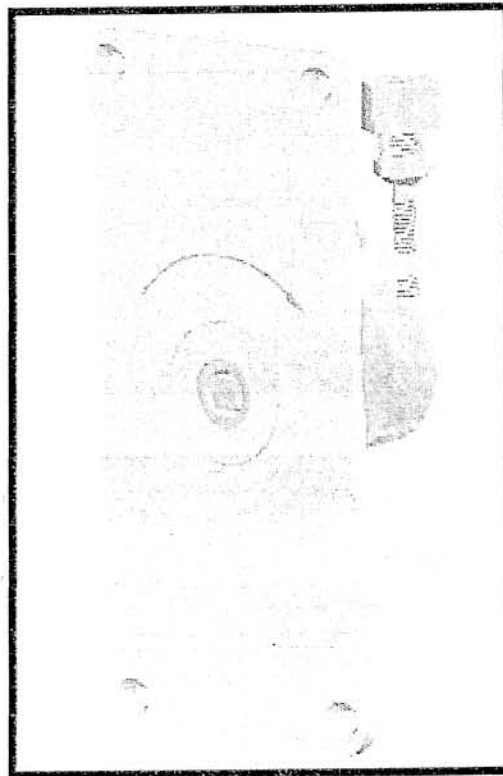




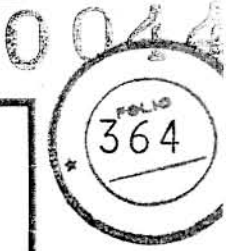
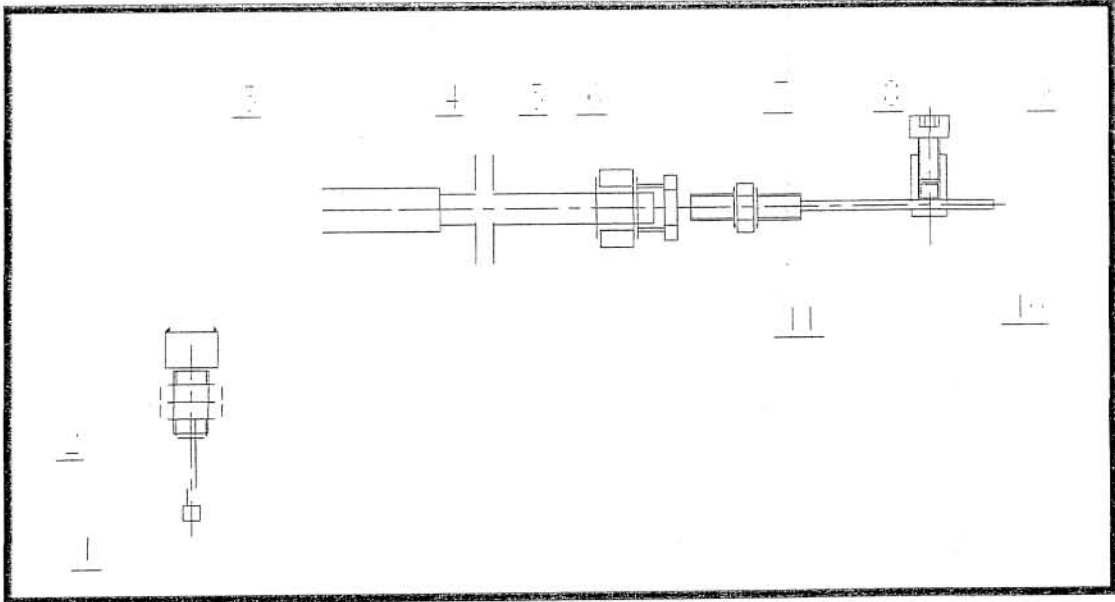
C37 Internal emergency unlocking device



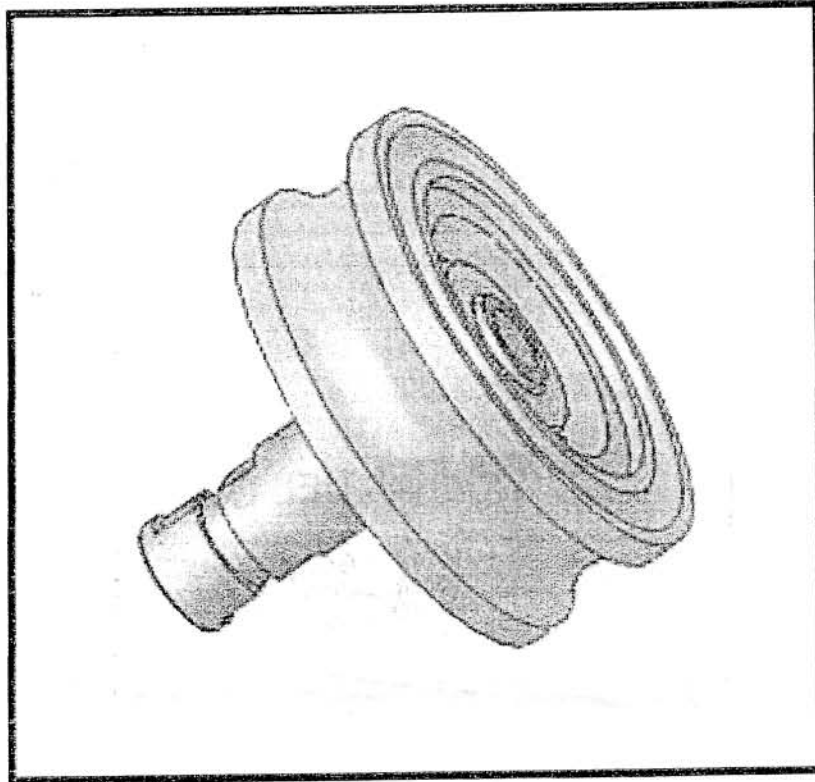
C38 External emergency unlocking device



C39 Thimble assembly (for internal emergency unlocking)



C40 Loading wheel assembly

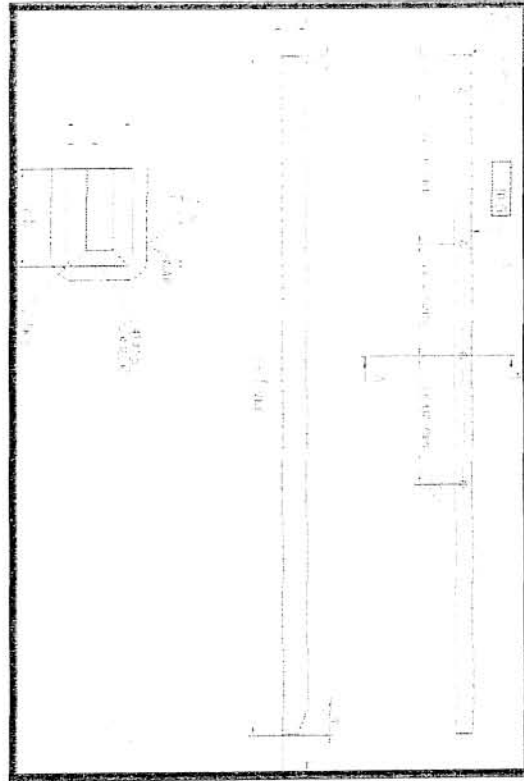




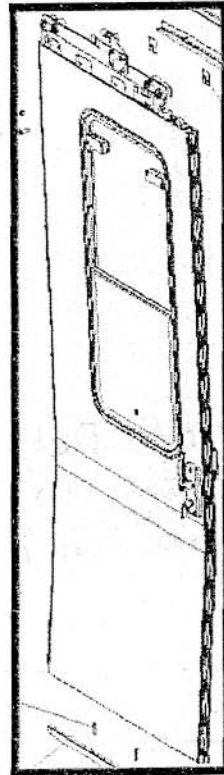
0044



C41 Lower guide rail

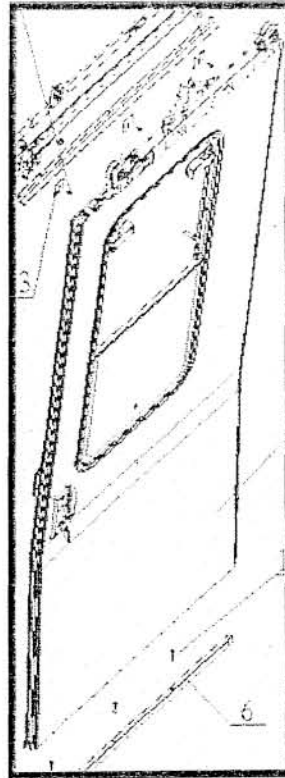


C42 Door leaf (left)

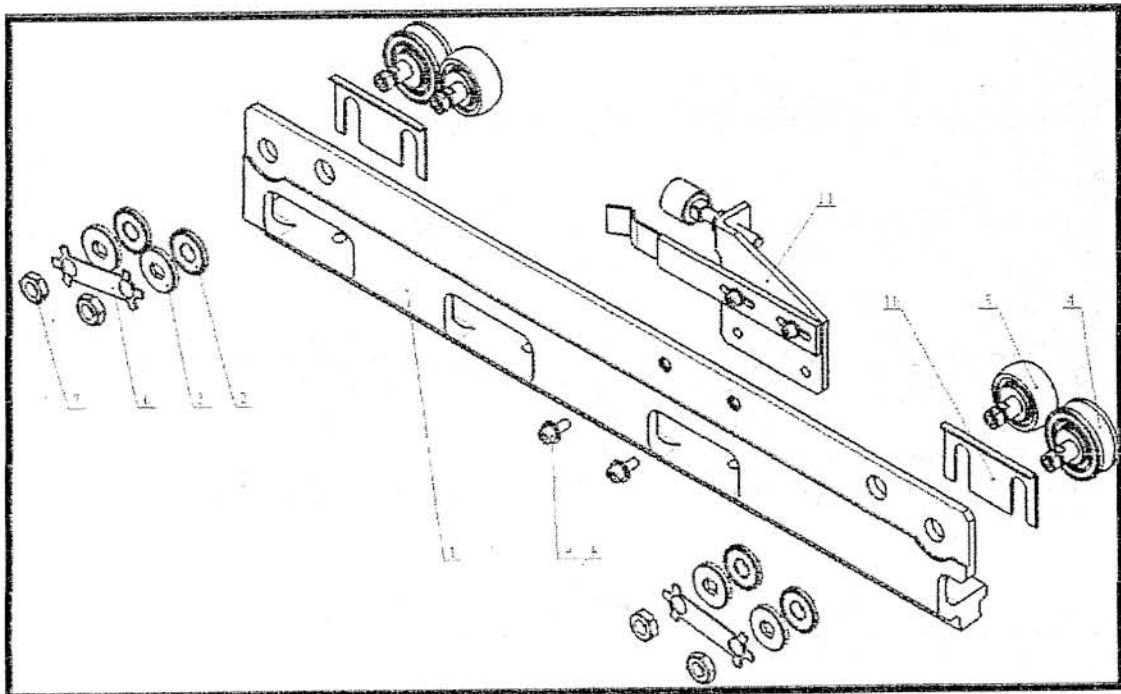


C43 Door leaf (right)

0044



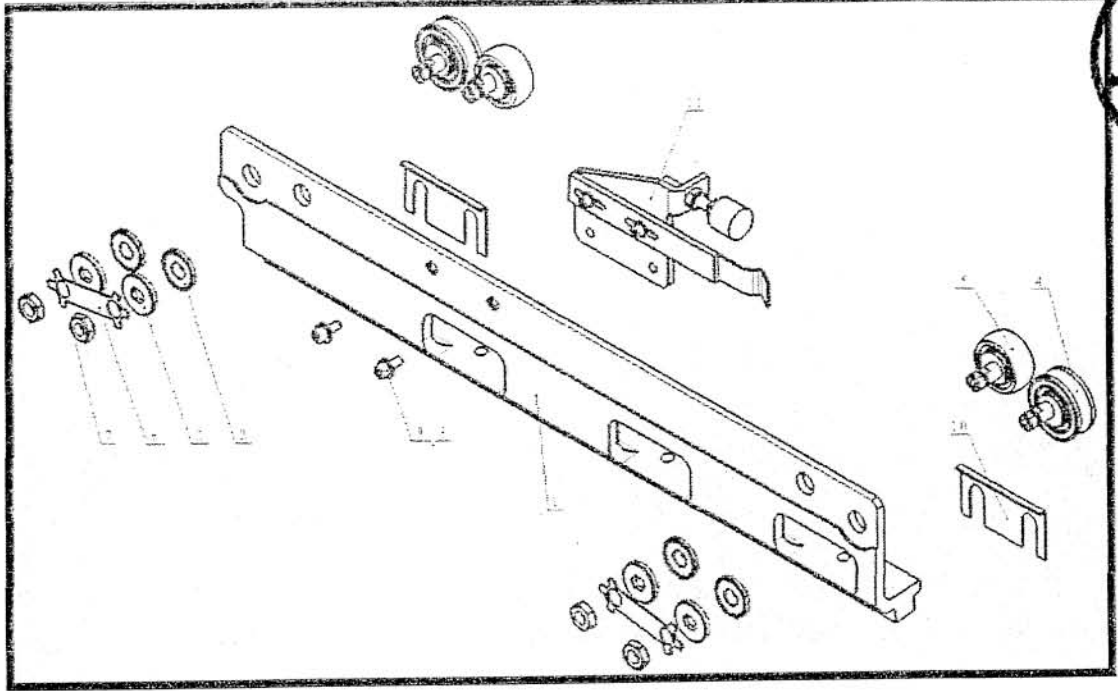
C44 Bearing trolley assembly (left)



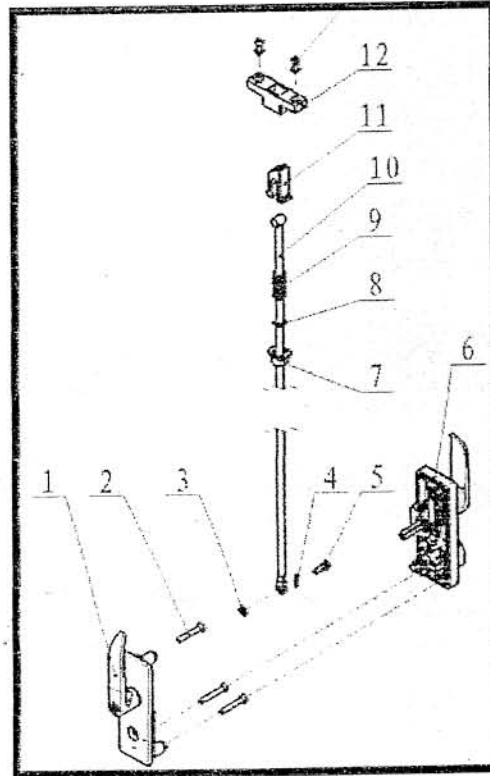


C45 Bearing trolley assembly (right)

0044



C46 Door lock (left)

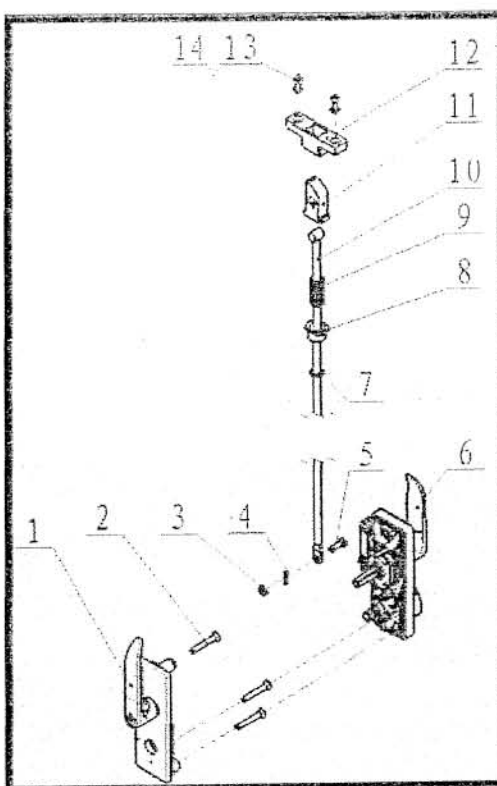




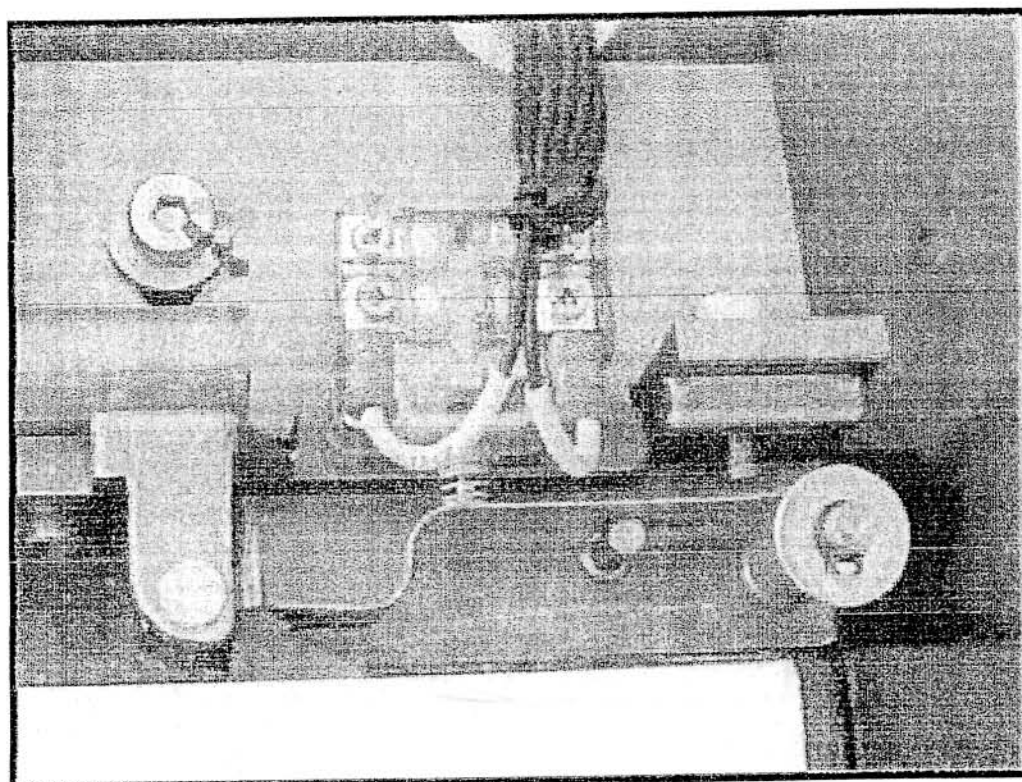
0044



C47 Door lock (right)

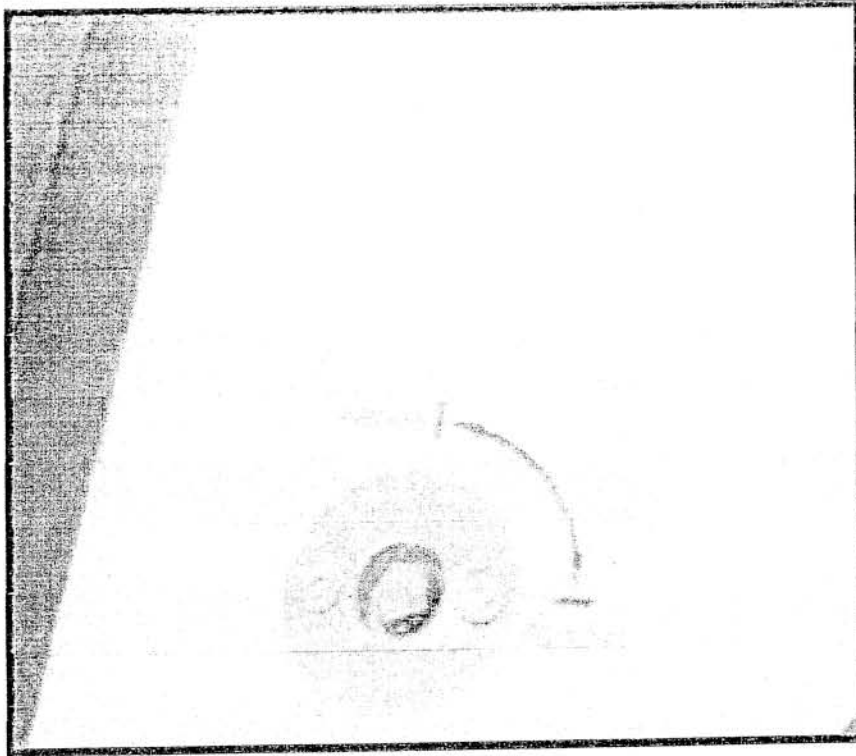


C48 Door-to-position switch

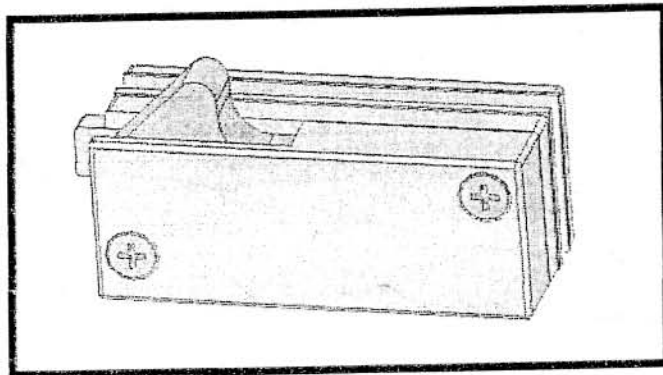
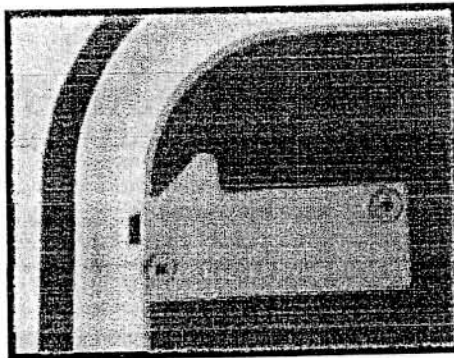


0044  
Folio  
369

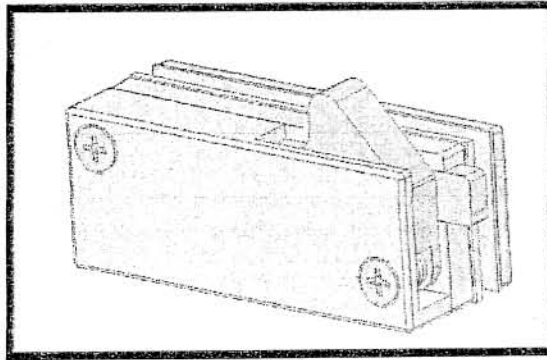
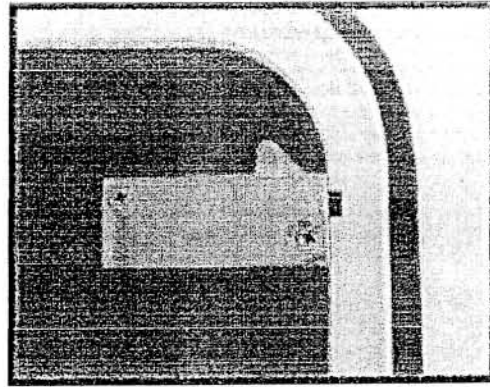
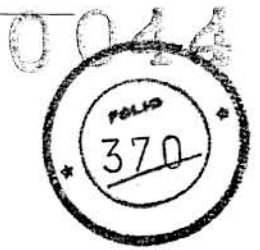
C49 Saloon door lock



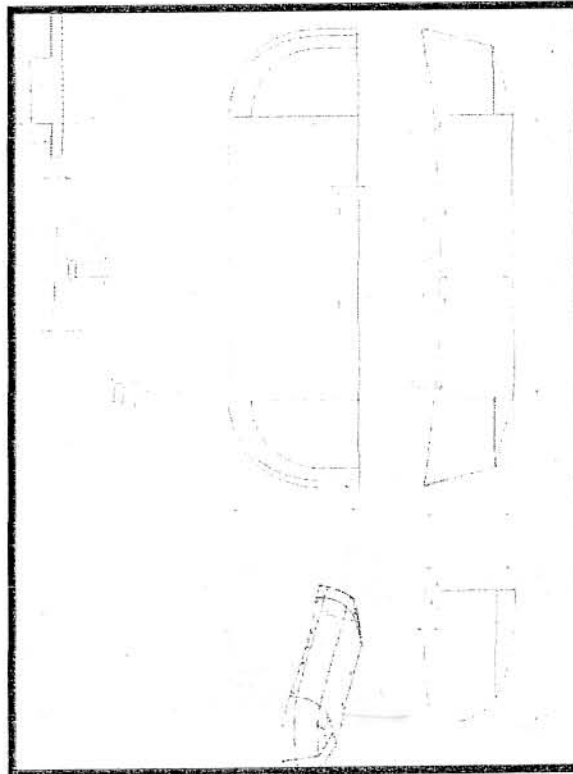
C50 Cab window lock (left)



C51 Cab window lock (right)

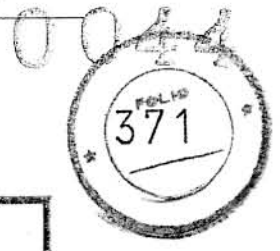


C52 Sun shade

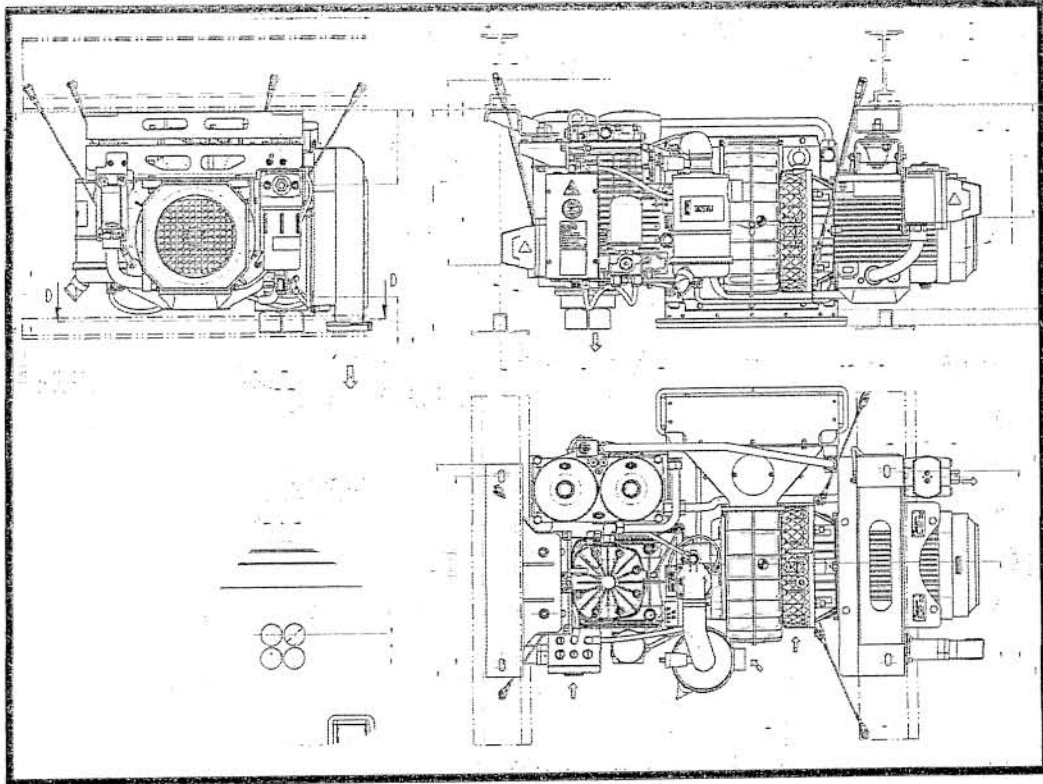




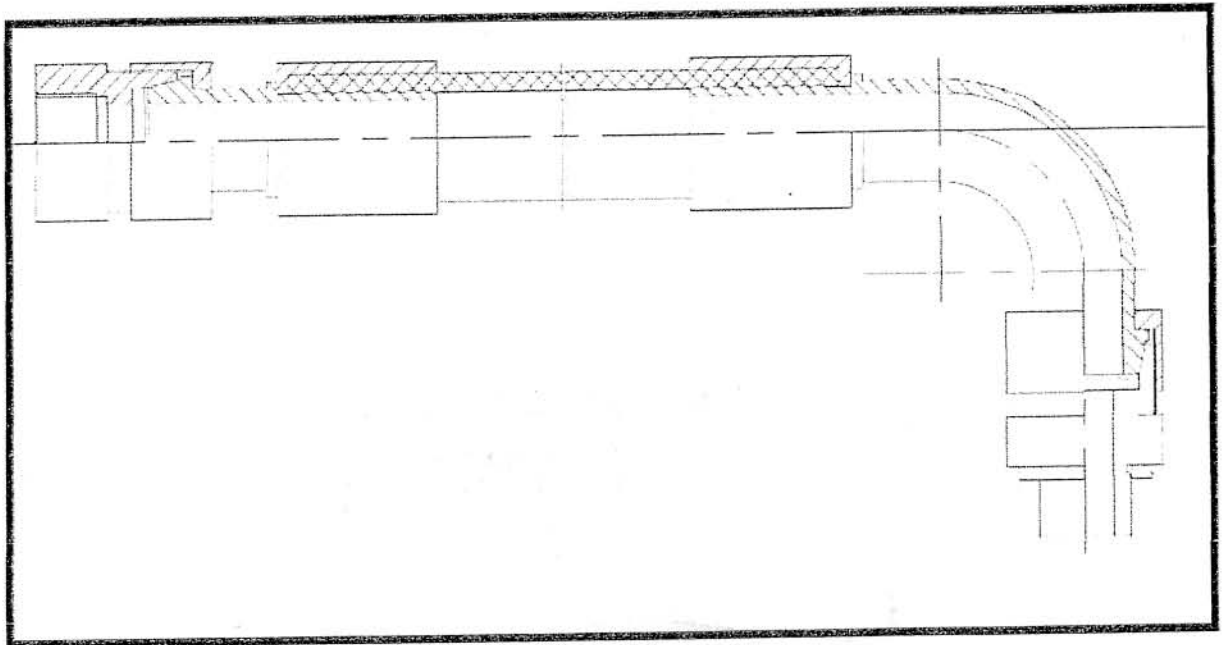
Part D Air Brake System

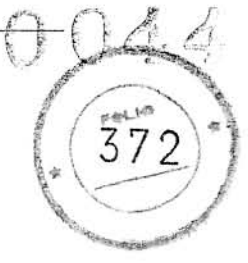


D1 Air supply unit

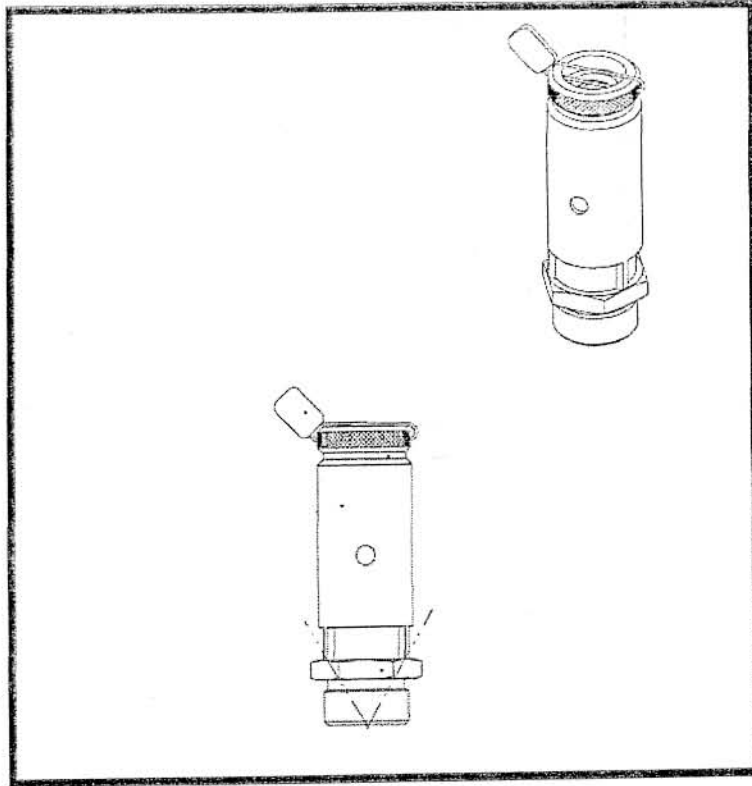


D2 Hose assembly for compressor

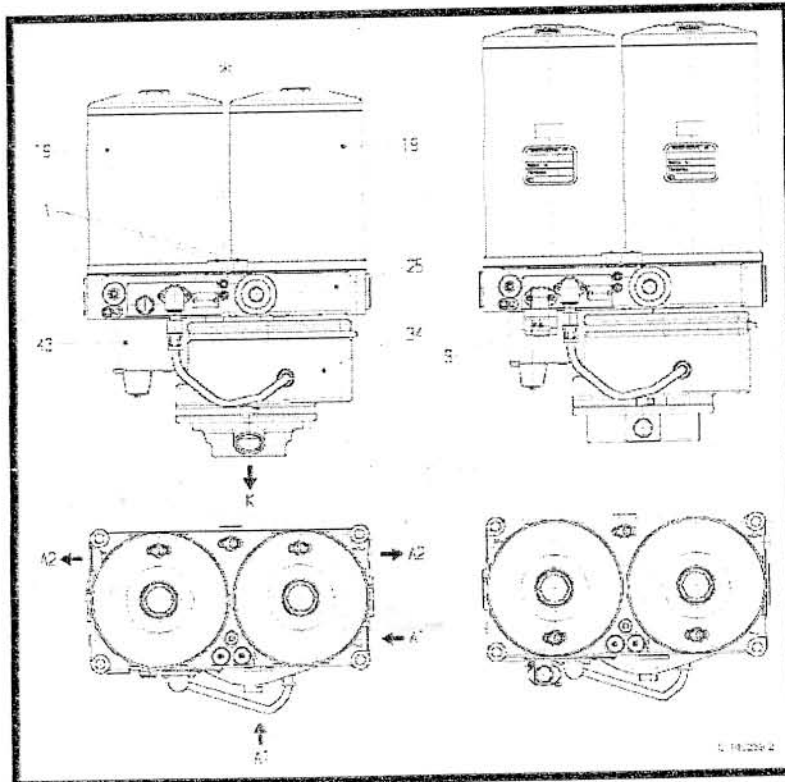




D3 Safety valve

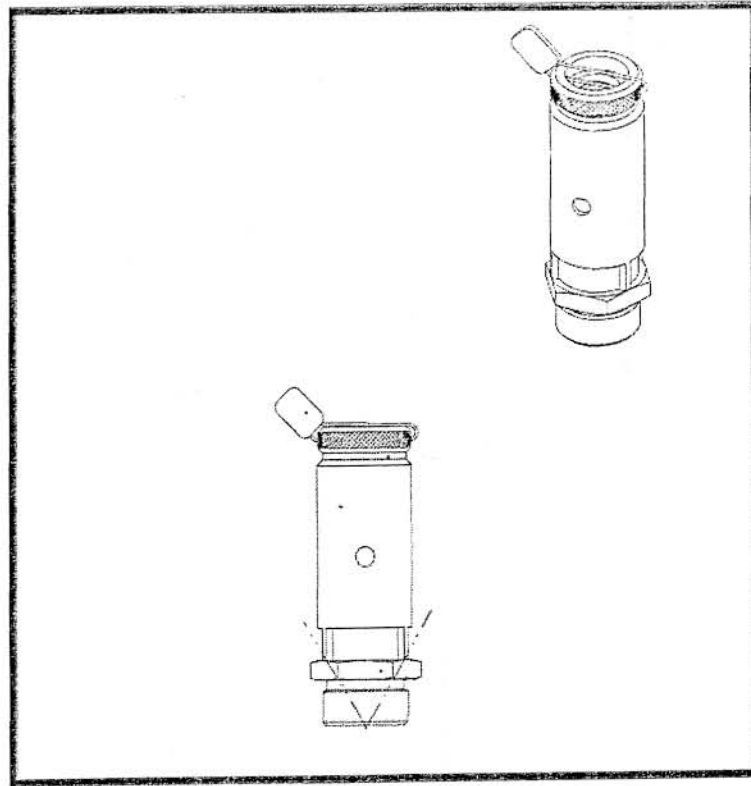
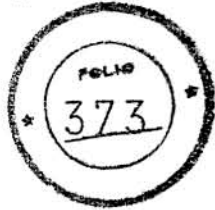


D4 Air dryer unit

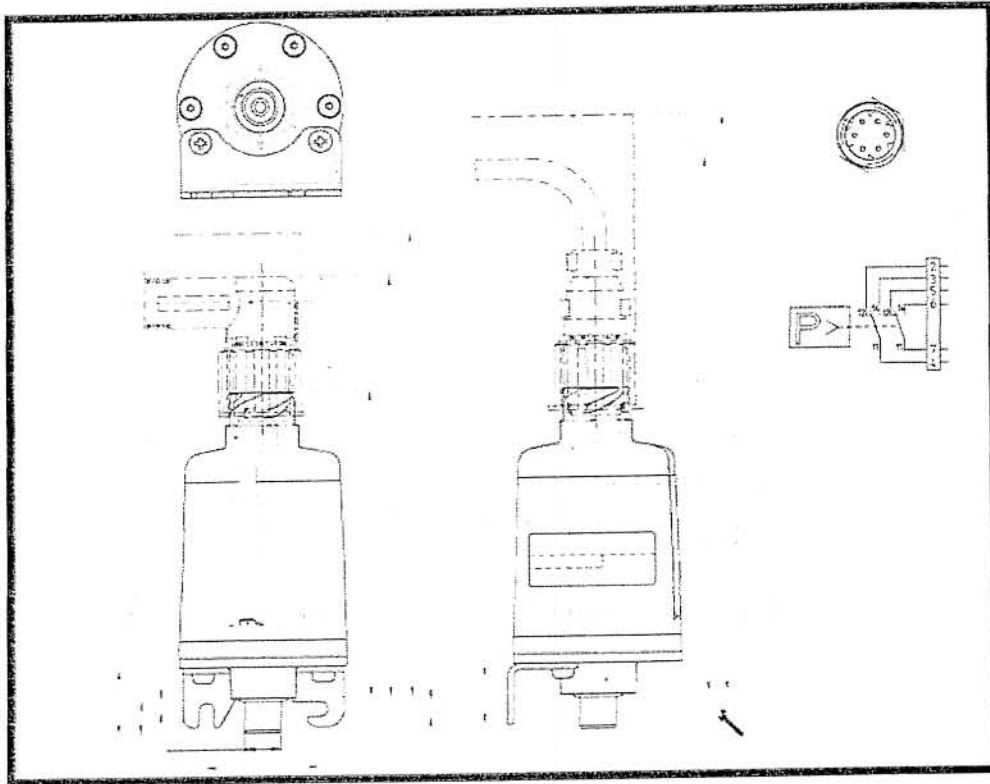


D5 Safety valve

0044

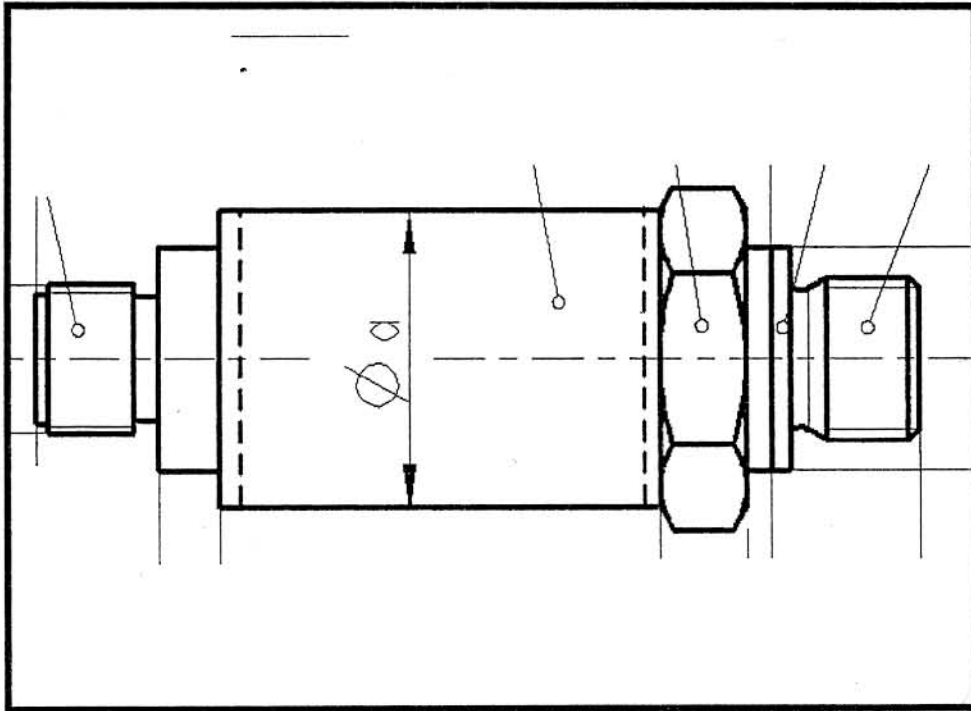


D6 Pressure switch

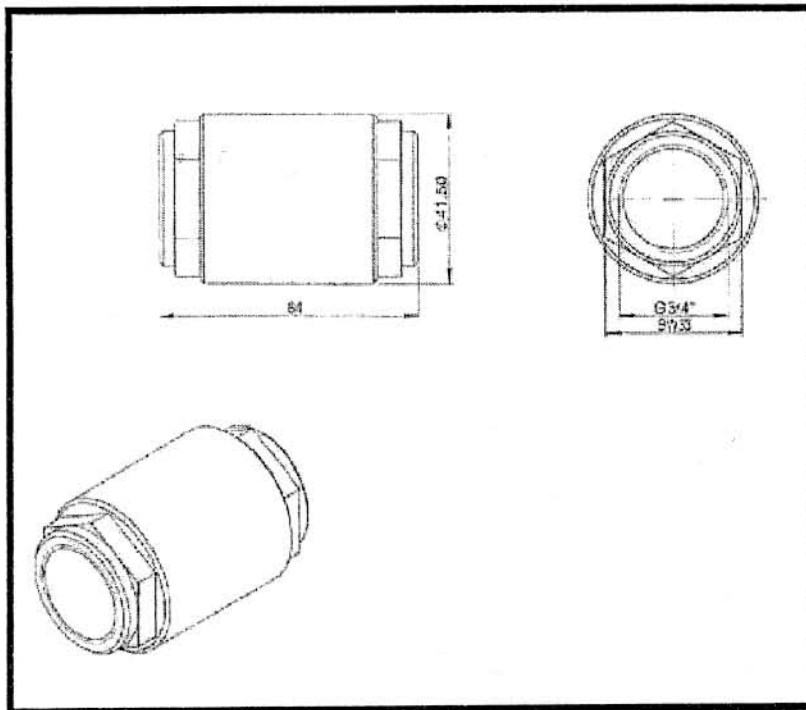




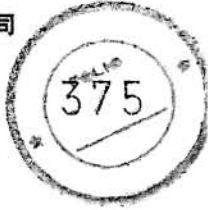
D7 Pressure switch



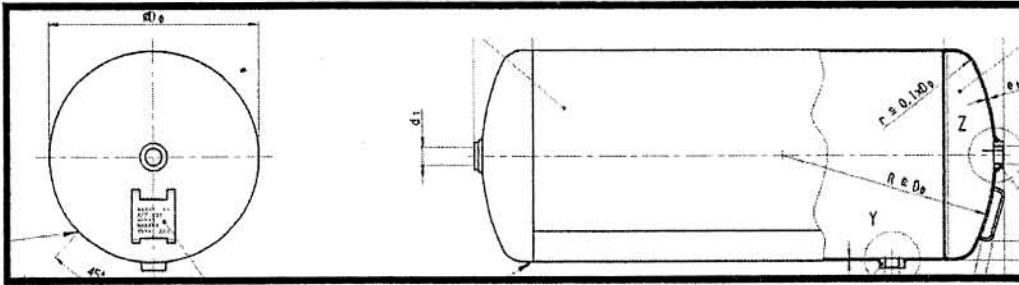
D8 Check valve



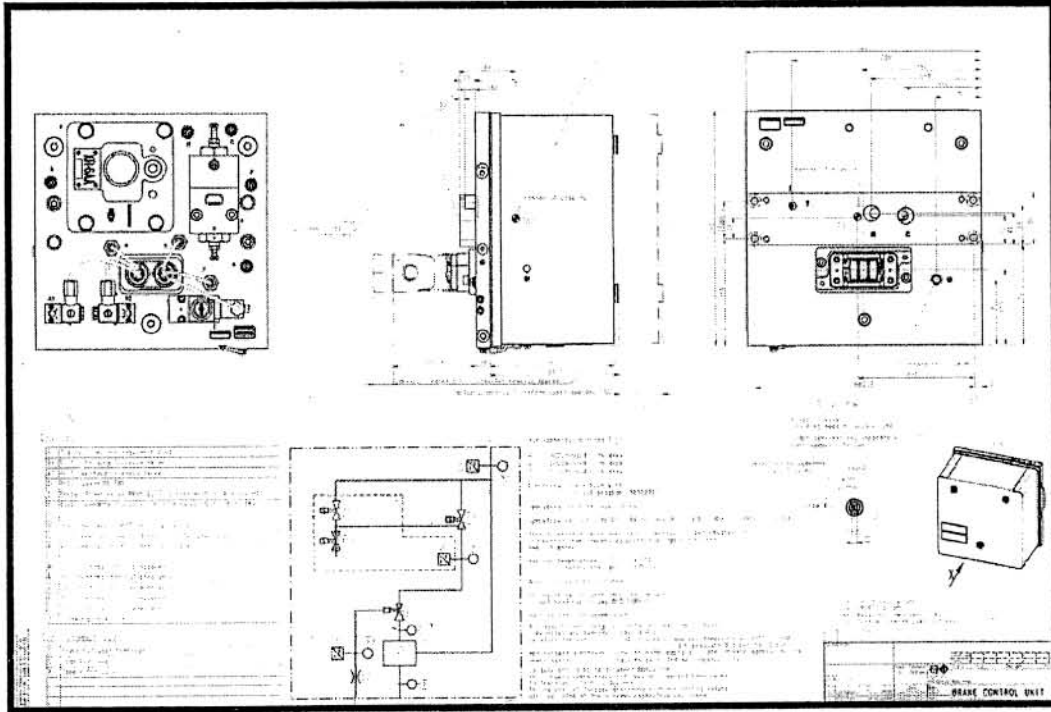
2



D9 Air reservoir



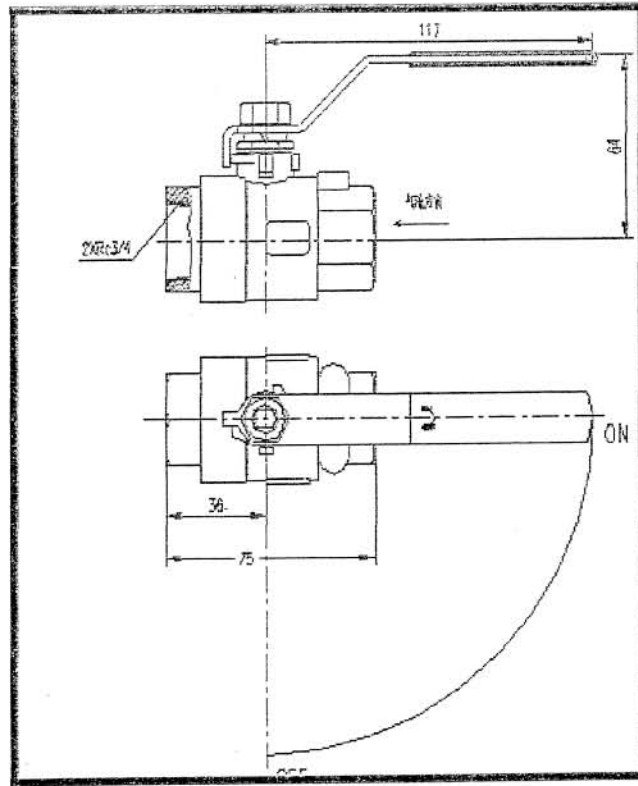
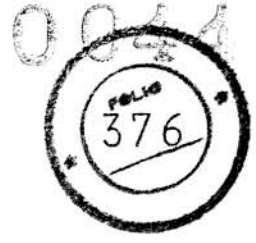
D10 Brake control unit



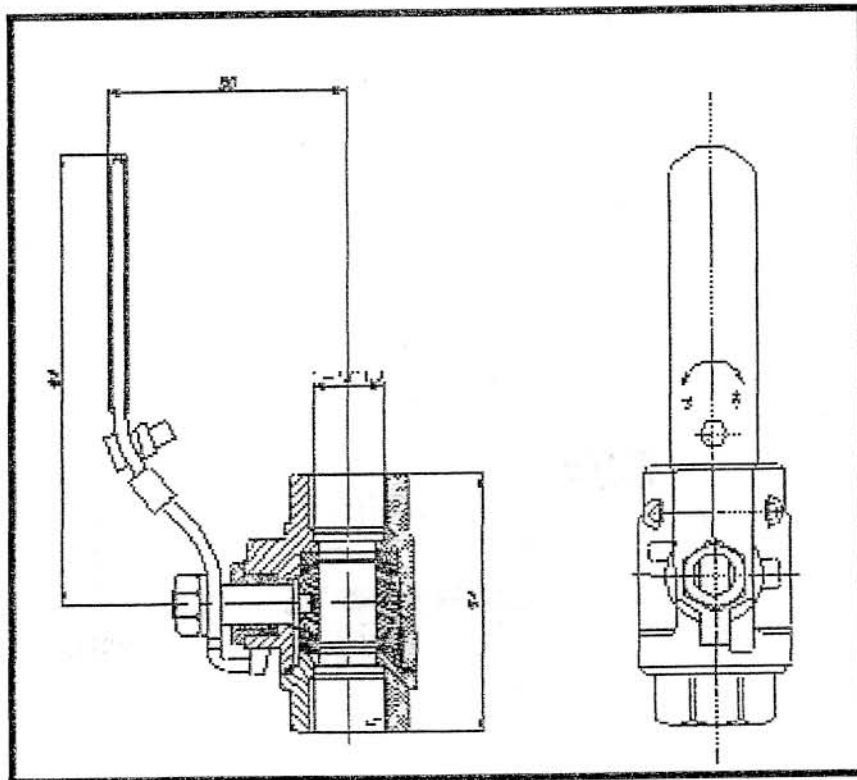
8

*[Handwritten signature]*

D11 BALLCOCK 3/4"

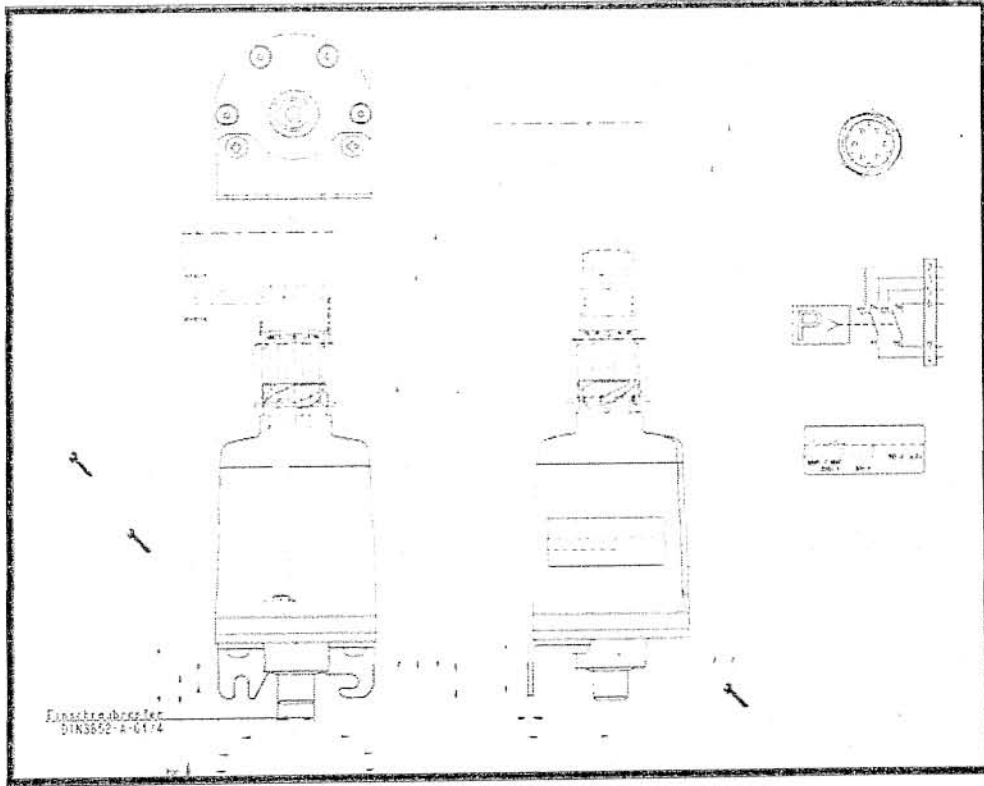


D12 BALLCOCK 1/4"



0044  
377

D13 Pressure switch



D14 Impulse valve

